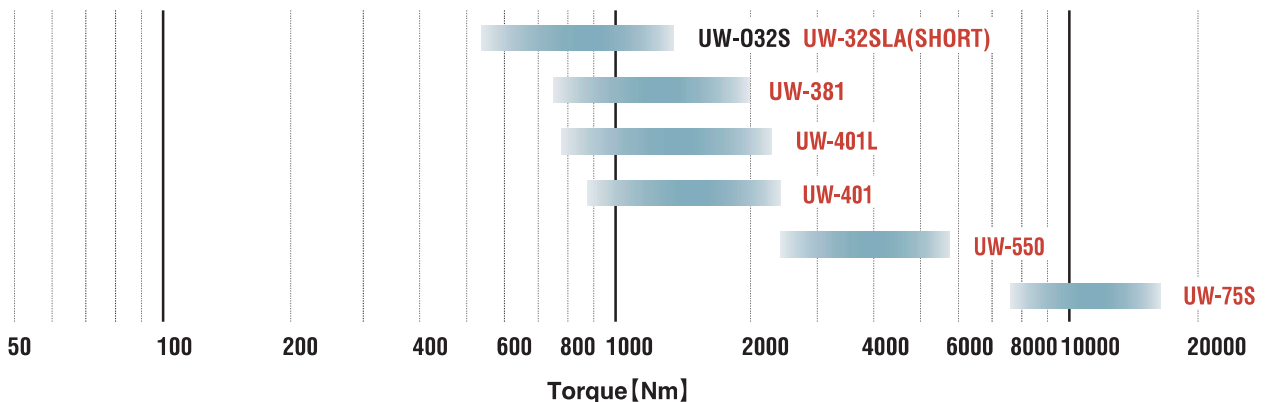
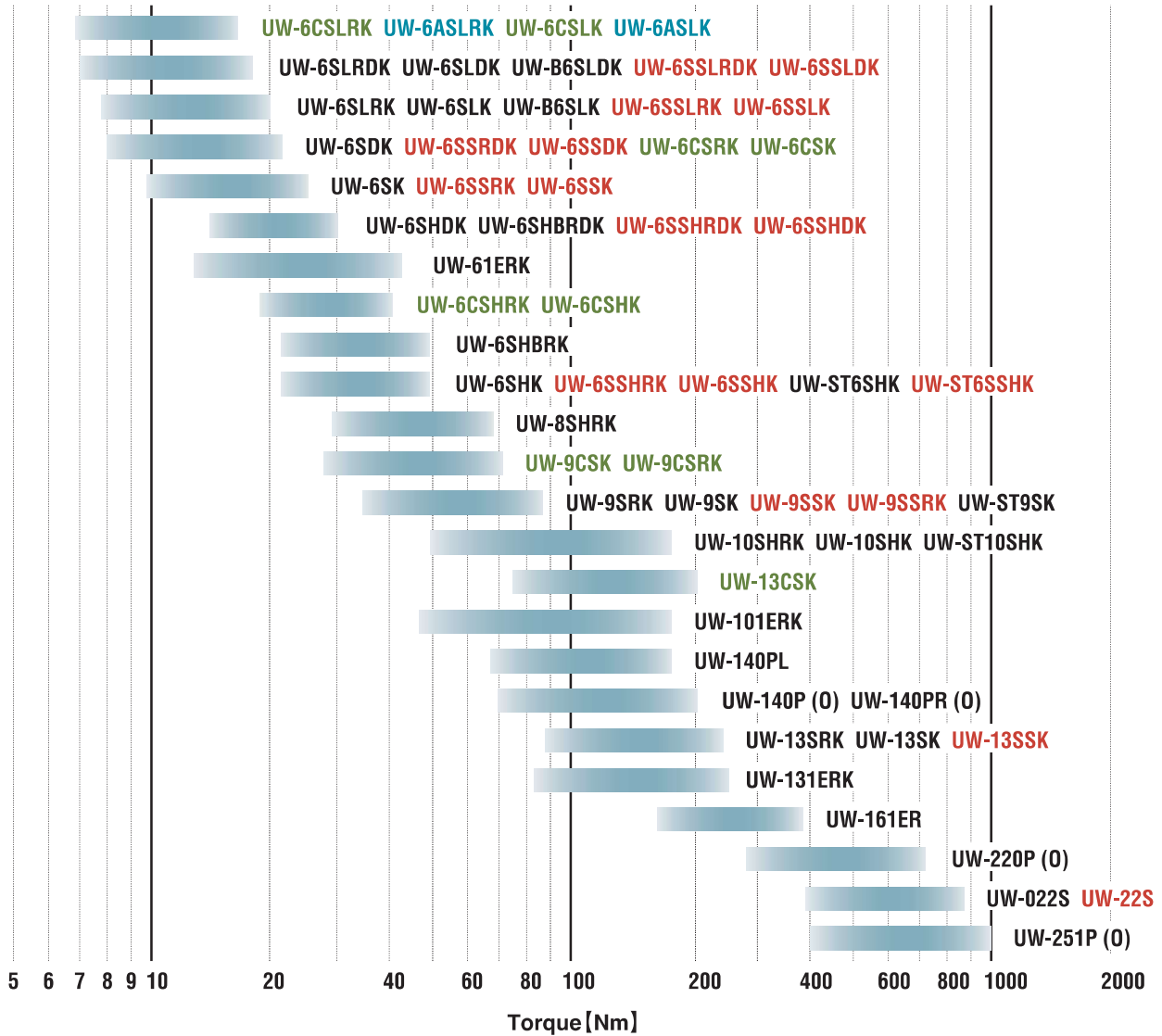
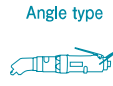
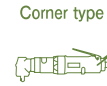
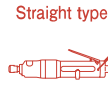


# RECOMMENDED TORQUE CHART OF THE IMPACT WRENCHES

Fastening force of the impact wrenches changes in accordance to the fastening time and the bolt size.

This table shows various common fastening torque. Please use this table as just guide line when selecting the model.



# IMPACT WRENCHES

The widest range of URYU Impact Wrenches offer fast, powerful and economical operation in high-volume heavy assembly applications.

BOLT & NUT SETTERS



UW-6SLRK



UW-61ERK



UW-101ERK



UW-161ER



UW-6SHBRK



UW-B6SLK



UW-8SHRK



UW-10SHRK



UW-9SRK



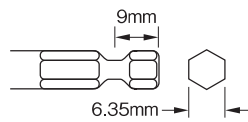
UW-13SRK



Front exhaust type (model which does not have "R" in model name.)

### Quick-change driver anvil type

On pulling the sleeve, insert or take off the bit.



Please add "D" to each model name like UW-6SDK when ordering.

### Built-in AIR REGULATOR FOR UW-61ERK,101ERK,131ERK, AND UW-161ER

Set "4" at the arrow mark for strongest and "1" for weakest.



## SPECIFICATIONS

Recommended Air Pressure : 0.6MPa (85psi)

Model	Capacity (Nominal Bolt Size)		Free Speed (about)	Overall Length less Socket or Bit (about)		Weight less Socket or Bit (about)		From Center to Outside (about)		Sq. Drive or Hex. Size		Average Air Consumption	
	mm	in		rpm	mm	in	kg	lb	mm	in	mm	in	m <sup>3</sup> /min
UW-6SLRK	6	1/4	8500	175	6 57/64	0.97	2.13	31.0	1 7/32	9.5	3/8	0.35	12.4
UW-6SHBRK	8	5/16	7300	154	6 1/16	1.36	2.99	28.0	1 7/64	9.5	3/8	0.35	12.4
UW-6SLK	6	1/4	8500	175	6 57/64	0.97	2.13	31.0	1 7/32	9.5	3/8	0.30	10.5
UW-B6SLK	6	1/4	8500	166	6 17/32	0.97	2.13	31.0	1 7/32	9.5	3/8	0.30	10.5
UW-6SK	6	1/4	7500	170	6 11/16	1.22	2.68	27.5	1 5/64	9.5	3/8	0.30	10.5
UW-6SAK	6	1/4	7500	134	5 9/32	1.10	2.47	27.5	1 5/64	9.5	3/8	0.30	10.5
UW-6SHK	8	5/16	7500	175	6 57/64	1.41	3.10	28.0	1 7/64	9.5	3/8	0.35	12.4
UW-8SHRK	8	5/16	7300	172	6 49/64	1.55	3.41	31.0	1 7/32	12.7	1/2	0.40	14.0
UW-9SRK	10	3/8	7000	178	7 1/64	1.79	3.93	34.0	1 11/32	12.7	1/2	0.45	16.0
UW-10SHRK	10-12	3/8-1/2	6000	183	7 13/64	2.13	4.68	35.0	1 3/8	12.7	1/2	0.45	16.0
UW-13SRK	13	1/2	6000	215	8 15/32	2.61	5.74	37.5	1 15/32	12.7	1/2	0.45	16.0
UW-8SHK	8	5/16	7500	172	6 49/64	1.55	3.41	31.0	1 7/32	12.7	1/2	0.40	14.0
UW-9SK	10	3/8	7000	178	7 1/64	1.84	4.04	34.0	1 11/32	12.7	1/2	0.50	17.6
UW-10SHK	10-12	3/8-1/2	6500	183	7 13/64	2.13	4.68	35.0	1 3/8	12.7	1/2	0.45	16.0
UW-13SK	13	1/2	6500	215	8 15/32	2.61	5.74	37.5	1 15/32	12.7	1/2	0.55	19.4

Air Hose Size (Inside Diameter) : 9.5mm (3/8")

Air Inlet Thread : NPT1/4"

## SPECIFICATIONS

Recommended Air Pressure:0.6MPa(85psi)

Model	Capacity (Nominal Bolt Size)		Free Speed (about)	Overall Length less Socket (about)		Weight less Socket (about)		From Center to Outside (about)		Sq. Drive Shank		Average Air Consumption	
	mm	in		rpm	mm	in	kg	lb	mm	in	mm	in	m <sup>3</sup> /min
UW-61ERK	8	5/16	7300	150	5 29/32	1.51	3.32	29.5	1 5/32	9.5	3/8	0.35	12.4
UW-101ERK	10	3/8	5500	179	7 3/64	2.27	4.99	36.0	1 27/64	12.7	1/2	0.45	16.0
UW-131ERK	13	1/2	5500	205	8 5/64	2.97	6.53	37.5	1 15/32	12.7	1/2	0.55	19.4
UW-161ER	16	5/8	3800	217	8 35/64	4.10	9.00	41.5	1 41/64	19.0	3/4	0.65	23.0

Air Hose Size (Inside Diameter) : 12.7mm (1/2") for UW-161ER 9.5mm (3/8") for UW-61ERK, 101ERK & 131ERK series  
 Air Inlet Thread (Pipe Tap) : NPT 3/8" for 161ER NPT 1/4" for UW-61ERK, 101ERK & 131ERK series



UW-6SSLRK



UW-32SLA (OUT-SHORT)



UW-401L (OUT-1)



UW-22S (SHORT)



UW-6SSHRK



UW-9SSK



UW-6CSHRK



UW-6CSLRK

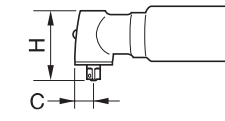


UW-6ASLRK



UW-13CSK

Head Sizes



Model	C		H	
	mm	in	mm	in
UW-6CSLRK	13.5	17/32	59.5	2 11/32
UW-6CSRK	15.0	19/32	60.0	2 23/64
UW-6CSHRK	17.5	11/16	65.0	2 9/16
UW-6CSLK	13.5	17/32	59.5	2 11/32

Model	C		H	
	mm	in	mm	in
UW-6CSK	15.0	19/32	60.0	2 23/64
UW-6CSHK	17.5	11/16	65.0	2 9/16
UW-9CS(R)K	22.0	7/8	85.0	3 11/32
UW-13CSK	26.0	11/32	102.0	4 7/32

SPECIFICATIONS

Recommended Air Pressure : 0.6MPa (85psi)

Model	Capacity (Nominal Bolt Size)		Free Speed (about)	Overall Length less Socket or Bit (about)		Weight less Socket or Bit (about)		From Center to Outside (about)		Sq. Drive or Hex. Size		Average Air Consumption	
	mm	in		mm	in	kg	lb	mm	in	mm	in	m <sup>3</sup> /min	ft <sup>3</sup> /min
UW-6SSLRK	6	1/4	8500	239	9 13/32	0.87	1.91	31.0	1 7/32	9.5	3/8	0.30	10.5
UW-6SSRK	6	1/4	7500	225	8 55/64	0.97	2.13	29.5	1 5/32	9.5	3/8	0.30	10.5
UW-6SSHRK	8	5/16	7300	249	9 51/64	1.26	2.77	27.5	1 3/32	9.5	3/8	0.35	12.4
UW-6SSLK	6	1/4	8500	197	7 3/4	0.87	1.91	31.0	1 7/32	9.5	3/8	0.30	10.5
UW-6SSK	6	1/4	7500	185	7 9/32	0.97	2.13	28.0	1 7/64	9.5	3/8	0.30	10.5
UW-6SSHK	8	5/16	7500	205	8 5/64	1.21	2.66	27.5	1 5/64	9.5	3/8	0.35	12.4
UW-6CSLRK	6	1/4	8000	258	10 5/32	1.17	2.57	31.0	1 7/32	9.5	3/8	0.30	10.5
UW-6CSRK	6	1/4	7300	257	10 1/8	1.42	3.12	29.5	1 5/32	9.5	3/8	0.30	10.5
UW-6CSHRK	8	5/16	7300	282	11 7/64	1.71	3.76	27.5	1 5/64	9.5	3/8	0.30	10.5
UW-6ASLRK	6	1/4	6500	277	10 29/32	1.14	2.50	31.0	1 7/32	9.5	3/8	0.30	10.5
UW-6CSLK	6	1/4	8000	217	8 35/64	1.17	2.57	31.0	1 7/32	9.5	3/8	0.30	10.5
UW-6CSK	6	1/4	7500	218	8 37/64	1.42	3.12	28.0	1 7/64	9.5	3/8	0.30	10.5
UW-6CSHK	8	5/16	7500	238	9 3/8	1.71	3.76	27.5	1 5/64	9.5	3/8	0.35	12.4
UW-6ASLK	6	1/4	6500	235	9 1/4	1.14	2.50	31.0	1 7/32	9.5	3/8	0.30	10.5
UW-9SSK	10	3/8	7000	290	11 27/64	2.10	4.62	34.0	1 11/32	12.7	1/2	0.45	16.0
UW-9SSRK	10	3/8	7000	320	12 19/32	2.10	4.62	34.0	1 11/32	12.7	1/2	0.45	16.0
UW-13SSK	13	1/2	6300	281	11 1/16	3.17	6.97	39.0	1 17/32	12.7	1/2	0.55	19.4
UW-9CSK	10	3/8	7000	337	13 17/64	2.78	6.11	34.0	1 11/32	12.7	1/2	0.35	12.4
UW-9CSRK	10	3/8	7000	359	14 9/64	2.78	6.11	34.0	1 11/32	12.7	1/2	0.35	12.4
UW-13CSK	13	1/2	6500	374	14 23/32	5.17	11.37	39.0	1 17/32	12.7	1/2	0.75	26.5

Air Hose Size (Inside Diameter) : 9.5mm (3/8")

Air Inlet Thread : NPT1/4"

SPECIFICATIONS

Recommended Air Pressure : 0.6MPa (85psi)

Model	Capacity (Nominal Bolt Size)		Free Speed (about)	Overall Length less Socket (about)		Weight less Socket (about)		From Center to Outside (about)		Sq. Drive Shank		Average Air Consumption	
	mm	in		mm	in	kg	lb	mm	in	mm	in	m <sup>3</sup> /min	ft <sup>3</sup> /min
UW-22S	22	7/8	4000	395	15 35/64	7.90	17.41	50.0	1 31/32	19.0	3/4	0.75	26.5
UW-22S(L)	22	7/8	4000	518	20 25/64	8.30	18.30	50.0	1 31/32	19.0	3/4	0.75	26.5
UW-022S	22	7/8	3800	257	10 1/8	7.65	16.80	50.0	1 31/32	19.0	3/4	0.75	26.5
UW-032S	32	1 1/4	3500	304	11 31/32	11.60	25.50	61.0	2 13/32	25.4	1	1.15	40.6
UW-32SLA	32	1 1/4	3500	438	17 1/4	11.70	25.74	62.5	2 29/64	25.4	1	0.90	32.0
UW-32SLA(L)	32	1 1/4	3500	583	22 61/64	12.50	27.50	62.5	2 29/64	25.4	1	0.90	32.0
UW-401	38	1 1/2	3200	494	19 29/64	15.10	33.22	62.5	2 29/64	25.4	1	1.20	42.4
UW-401L	38	1 1/2	3200	654	25 3/4	16.50	36.30	62.5	2 29/64	25.4	1	1.20	42.4

Air Hose Size (Inside Diameter) : 12.7mm (1/2")

Air Inlet Thread : NPT3/8" for UW-22S, UW-022S & UW-032S

# IMPACT WRENCHES

## SWING HAMMER SERIES

BOLT & NUT SETTERS



UW-140PR



UW-140P



UW-220P



UW-251P



UW-381



Suffix "L" to Model Name.

Head Sizes

Model	L		Model	L	
	mm	in		mm	in
UW-140PL	68.5	2 45/64	UW-381L	200.0	7 7/8
UW-220PL	150.0	5 29/32	UW-381PL	200.0	7 7/8
UW-251PL	151.0	5 15/16	UW-401L	199.5	7 55/64

### SPECIFICATIONS

Recommended Air Pressure : 0.6MPa (85psi)

Model	Capacity (Nominal Bolt Size)		Free Speed (about)	Overall Length less Socket (about)		Weight less Socket (about)		From Center to Outside (about)		Sq. Drive Shank		Average Air Consumption	
	mm	in		mm	in	kg	lb	mm	in	mm	in	m <sup>3</sup> /min	ft <sup>3</sup> /min
UW-140P, -140PR	12	1/2	6500	200	7 7/8	2.70	5.90	33.0	1 19/64	12.7	1/2	0.70	25.0
UW-140PL, -140PRL	12	1/2	6800	244	9 39/64	2.80	6.10	33.0	1 19/64	12.7	1/2	0.70	25.0
UW-220P	19	3/4	5500	230	9 1/16	4.40	9.60	42.0	1 21/32	19.0	3/4	0.70	25.0
UW-220PL	19	3/4	5500	350	13 25/32	4.70	10.30	42.0	1 21/32	19.0	3/4	0.70	25.0
UW-251P	25	1	5500	276	10 55/64	8.00	17.60	51.5	2 1/32	25.4	1	0.80	28.0
UW-251PL	25	1	5500	395	15 35/64	8.80	19.40	51.5	2 1/32	25.4	1	0.80	28.0
UW-381	38	1 1/2	4700	395	15 35/64	9.50	20.90	58.5	2 19/64	25.4	1	0.90	31.5
UW-381L	38	1 1/2	4700	543	21 3/8	10.00	22.00	58.5	2 19/64	25.4	1	0.90	31.5
UW-381P	38	1 1/2	4700	276	10 55/64	9.50	20.90	58.5	2 19/64	25.4	1	0.90	31.5
UW-381PL	38	1 1/2	4700	425	16 47/64	10.00	22.00	58.5	2 19/64	25.4	1	0.90	31.5

Air Hose Size (Inside Diameter) : 9.5mm(3/8") for UW-140P Series, 12.7mm (1/2") for other models above  
 Air Inlet Thread : NPT 1/4" for UW-140P series

NPT 3/8" for UW-220P, UW-251P Series

NPT 1/2" for UW-381 Series

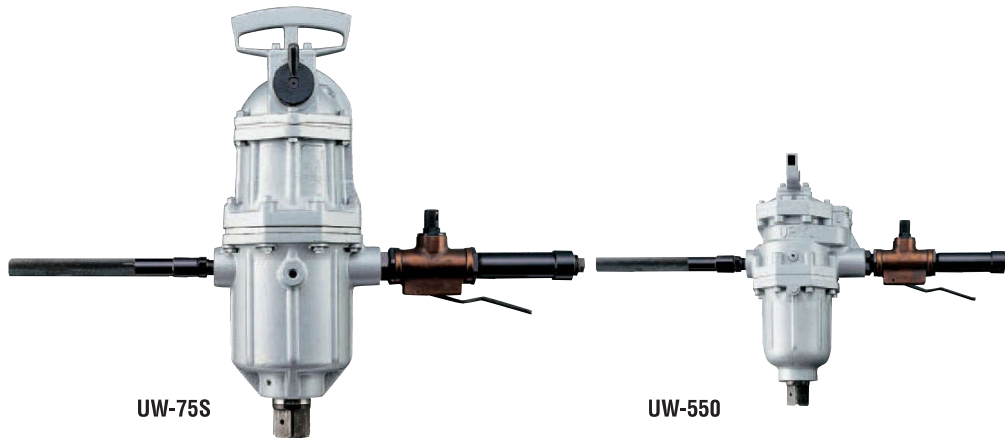
UW-140P Series combine compact size and light weight with torque, 70 – 200 Nm to meet a wide range of applications. Recommendable for overall automotive service, body shop etc.

UW-220P Series are recommendable for various popular fastening joints in general industry. (300-700Nm)

UW-251P Series are recommendable for heavy industrial production work such as engine work, truck springs, tractor pads, off-road equipment and heavy duty farm equipment.(600 – 1000Nm)

UW-381 Series are powerful, light-weight impact wrenches that are ideal for wide applications (1400 - 2000 Nm) in steel erection refineries, petrochemical plants, mines, steel mills and heavy motor vehicle plants.

## JUMBO TYPE IMPACT WRENCHES



### Built-In Air Regulator

Pull up the spring loaded knob and turn clockwise to lower the power and anticlockwise to increase it, then reset.



BOLT & NUT SETTERS

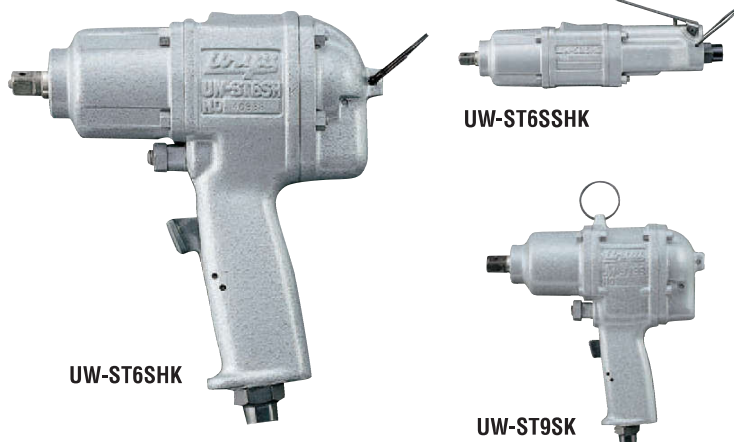
### SPECIFICATIONS

Recommended Air Pressure : 0.6MPa (85psi)

Model	Capacity (Nominal Bolt Size)		Free Speed (about)	Overall Length less Socket (about)		Weight less Socket (about)		From Center to Outside (about)		Sq. Drive Shank		Average Air Consumption	
	mm	in		mm	in	kg	lb	mm	in	mm	in	m <sup>3</sup> /min	ft <sup>3</sup> /min
UW-550	55	2 1/4	3500	525	20 43/64	36.0	79.2	78.0	3 5/64	38.1	1 1/2	2.20	79
UW-75S	75	3	1400	670	26 3/8	56.0	123.0	96.0	3 25/32	44.4	1 3/4	3.20	114
UW-75S (1 1/2)	76	3	1400	670	26 3/8	56.0	123.0	96.0	3 25/32	38.1	1 1/2	3.20	114

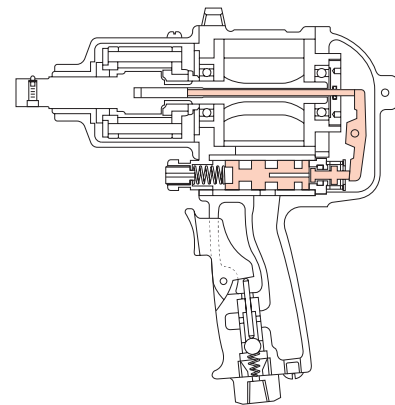
Air Hose Size (Inside Diameter) : 19.0 mm (3/4")  
Air Inlet Thread : NPT1"

## STUD BOLT WRENCHES



### FEATURES

**Double-Hammer Auto-Reversing for Stud Bolt Driving**



These unique Auto-Reversing tools simply stud-bolt driving (frequent reversing) job considerably for less operator's fatigue & high productivity. Push the tool forward to the work for driving and simply pull it back.

### SPECIFICATIONS

Recommended Air Pressure : 0.6MPa (85psi)

Model	Capacity (Nominal Bolt Size)		Free Speed (about)	Overall Length less Socket (about)		Weight less Socket (about)		From Center to Outside (about)		Sq. Drive Shank		Average Air Consumption	
	mm	in		mm	in	kg	lb	mm	in	mm	in	m <sup>3</sup> /min	ft <sup>3</sup> /min
UW-ST6SHK	8	5/16	6500	171	6 47/64	1.70	3.74	28.5	1 1/8	9.5	3/8	0.40	14.0
UW-ST9SK	10	3/8	6300	192	7 9/16	2.35	5.06	33.5	1 5/16	12.7	1/2	0.50	17.6
UW-ST10SHK	10-12	3/8-1/2	6300	194	7 41/64	2.60	5.72	33.5	1 5/16	12.7	1/2	0.50	17.6
UW-ST6SSHK	6-8	1/4-5/16	6500	235	9 1/4	1.35	2.97	28.5	1 1/8	9.5	3/8	0.40	14.0

Air Hose Size (Inside Diameter) : 9.5mm (3/8")  
Air Inlet Thread : NPT1/4"